

MESH-HBWD IP66 (XX)

IP66 Rated Ceiling High Bay (Wide) Passive Infra Red (PIR) Occupancy Detector & Photocell

Input: 100-240 Vac 50/60Hz

PLEASE READ THESE INSTRUCTIONS BEFORE INSTALLING THE PRODUCT

NOTE: MESH-HBWD IP66 is compatible with any qualified Bluetooth mesh components and commissioning tools. We recommend Silvrair Commissioning as a reliable solution.

This MESH-HBWD IP66 High Bay (Wide Detection) Lighting Control has an IP66 rated weatherproof enclosure and can be ceiling mounted. Configurable for any room occupancy style, via the Silvrair Platform (App and Web).

INSTALLATION

To be installed by a competent person with reference to BS 7671 or equivalent local standards. If in doubt consult a qualified electrician.

- Plan where the MESH-HBWD IP66 is to be located (see diagram 1). Switch off supply and check for hidden cables and pipes.
 - Remove the front cover by quarter turning the four quick release fasteners to the '0' position (see diagram 4 overleaf).
 - Mount the back section of the mounting box in the required location via the 4 corner holes.
 - Thread mains cable carefully through the required membrane entry point.
 - Unclip the internal back plate. Remove the required knock out if replacing the optional internal back plate.
 - Thread mains cable into the unit. The MESH-HBWD IP66 should be connected as shown in diagram 2:
- L - Live in. N - Neutral in.
- Reclip the internal back plate if required.
 - Replace the front cover ensuring the quick release fasteners are secured in the '1' position.

OPERATION

To check the operation of the MESH-HBWD IP66:

- Turn on the supply then after 20 seconds if the sensor has recognised movement of a person within its zone of detection the integral red LED on MESH-HBWD IP66 will stay illuminated for 4 seconds before the red LED turns off.
- Thereafter, every time movement is detected by MESH-HBWD IP66 the integral red LED will stay illuminated for 4 seconds.

The control also features adjustable time out (time lag) control and daylight threshold control which are configured by the Silvrair APP.

PRECAUTIONS

- Do not place the MESH-HBWD IP66 near heat sources, fans or in ventilated ceiling voids.
- MESH-HBWD IP66 can be wired in parallel (sharing the same Live and Neutral).
- Do not place close to, or positioned such that, any light source points directly into the MESH-HBWD IP66.
- Ensure wires and cables are securely held within the connection terminals.
- The MESH-HBWD IP66 should be protected by a 5 or 6 Ampere mcb or fuse.
- Disconnect the MESH-HBWD IP66 from the circuit before performing insulation testing of the wiring circuit.**

TECHNICAL DETAILS

INPUT	
Voltage:	100 - 240Vac
Frequency:	50/60Hz
Max. mains current:	20mA
Standby current:	14mA
RADIO TRANSCEIVER	
Operating frequencies:	2.4... 2,483 GHz
Max. output power:	+4 dBm
LUX PARAMETERS	
Range:	5 - 2000 lux
OPERATING CONDITIONS	
Note: The temperature difference between the detection target and the background must be at least 4 °C.	
Ambient temperature:	-20... +40 °C (Iout 20mA)
Storage temperature:	-25... +75 °C
Max. relative humidity:	0... 80%, non cond.
CONNECTORS	
Terminal block	0.5mm ² - 2.5mm ²
Wire size:	solid or stranded
Wire strip length:	6-7mm
Tightening torque:	0,4 Nm/4 Kgf.cm
MECHANICAL DATA	
Dimensions:	110mm x 110mm x 73mm
Weight:	245g (unpacked)
Degree of protection:	IP66
Protection class:	Built-in Class 2
Material (casing)	Flame-retardant polycarbonate/ Polypropylene.
Finish / Colour:	Matt /Grey (RAL 7035)
Finish / Colour:	White (RAL 9001)
Finish / Colour:	Black (RAL 9005)
Protection class:	Built-in Class 2
CONFORMITY AND STANDARDS	
EMC emission: EN 301 489-1 V2.2.0, EN 301 489-17 V3.1.1, EN 55032: 2015, EN61000-3-2: 2014, EN61000-3-3: 2013	
EMC immunity: EN 301 489-1 V2.2.0, EN 301 489-17 V3.1.1	
Environment: Complies with WEEE and RoHS directives	
CB scheme: IEC60669-1:1998, IEC60669-1:1998/AMD1:1999, IEC60669-1:1998/AMD2:2006, IEC60669-2:2002, IEC60669-2-1:2002/AMD1:2008,	



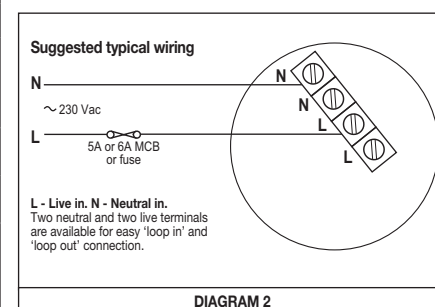
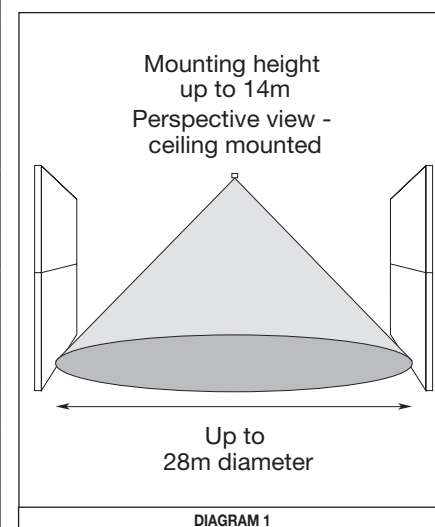
COLOUR OPTIONS

This product is available in 3 colour options designated by the following product codes:

Grey: **MESH-HBWD IP66 GY**
 White: **MESH-HBWD IP66 WH**
 Black: **MESH-HBWD IP66 BK**

5 YEAR WARRANTY

MESH-HBWD IP66 comes with a 5 year warranty from the date of manufacture and is CE marked.



DANLERS Limited, Vincients Road, CHIPPENHAM, Wiltshire, SN14 6NQ, UK.
 Telephone: +44 (0)1249 443377 Fax: +44 (0)1249 443388 E-mail: sales@danlers.co.uk
www.danlers.co.uk

Company Registered Number 2570169 VAT Registration Number 543 5491 38

DANLERS

MESH-HBWD IP66 (XX)

IP66 Rated Ceiling High Bay (Wide) Passive Infra Red (PIR) Occupancy Detector & Photocell

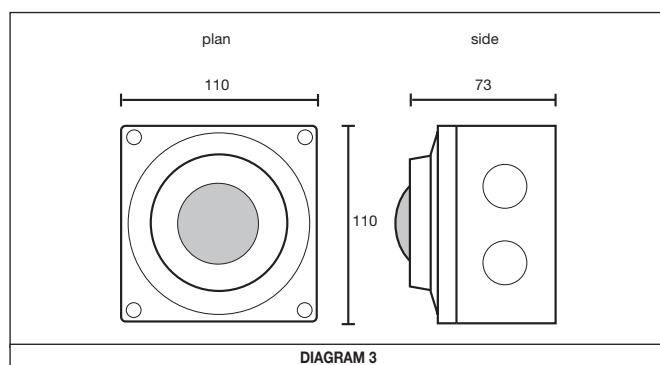
Input: 100-240 Vac 50/60Hz

PLEASE READ THESE INSTRUCTIONS BEFORE INSTALLING THE PRODUCT

NOTE: MESH-HBWD IP66 is compatible with any qualified Bluetooth mesh components and commissioning tools. We recommend Silvacommissioning as a reliable solution.



DIMENSIONS



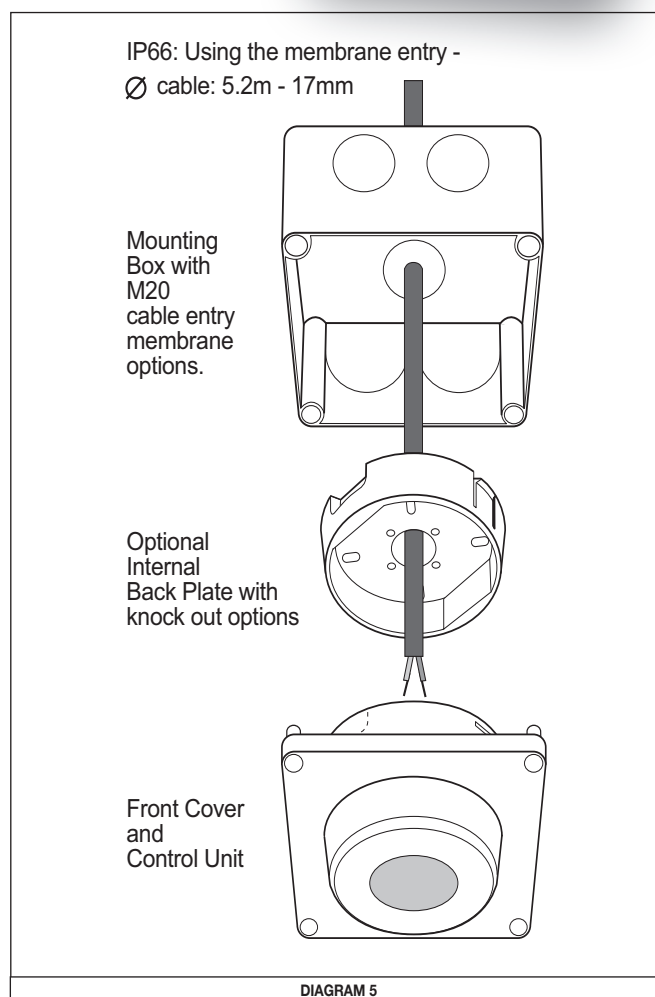
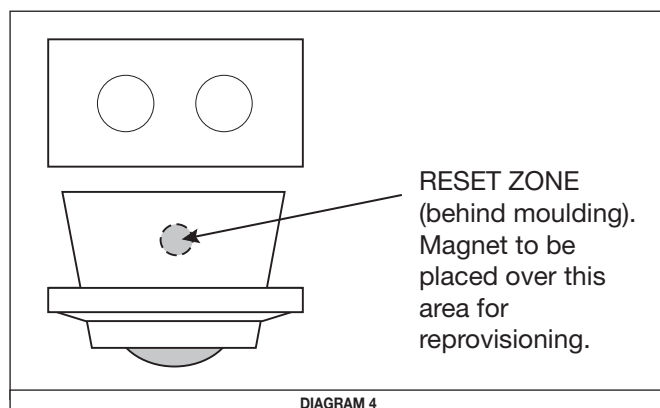
HALL EFFECT / FACTORY RESET:

This function allows a reset to be carried out in order to restore the default factory settings.

A factory reset will change the state of MESH-HBWD IP66 from 'provisioned' to 'unprovisioned', i.e. all network settings will be lost. This functionality is required to allow reprovisioning MESH-HBWD IP66 where control over the device is not functioning correctly.

TO REPROVISION:

Place a small magnet on the site of the Reset / Hall effect sensor (see diagram 4 below). To trigger the reset the magnet must be held in position for 5 seconds.



STATUS LED BLINKING SEQUENCE:

MESH-HBWD IP66 Unprovisioned:	30ms ON	300ms OFF
MESH-HBWD IP66 Provisioned:	15ms ON	2000ms OFF
Factory Reset:	500ms ON	1000ms OFF
Factory Reset (initial burst):	100ms ON	1000ms OFF
MESH package received:	30ms ON	50ms OFF
Attention (from network):	500ms ON	500ms OFF