

MESH-CESR

Ceiling Surface Mount Passive Infra Red (PIR) Occupancy Detector & Photocell

Input: 100-240 Vac 50/60Hz

PLEASE READ THESE INSTRUCTIONS BEFORE INSTALLING THE PRODUCT

NOTE: MESH-CESR is compatible with any qualified Bluetooth mesh components and commissioning tools. We recommend Silvair Commissioning as a reliable solution.

This surface mounted MESH-CESR can be mounted directly onto solid ceilings or onto a range of different mounting boxes. Configurable for any room occupancy style, via the Silvair Platform (App and Web).

INSTALLATION

To be installed by a competent person with reference to BS 7671 or equivalent local standards. If in doubt consult a qualified electrician.

- Plan where the MESH-CESR is to be located (see diagram 1). Switch off supply and check for hidden cables and pipes.
- The MESH-CESR should be connected as shown in diagram 2:
L - Live in. N - Neutral in.
- Knockout or drill the appropriate holes on the mounting plate for attaching the plate to the ceiling or back box (if applicable). Feed cables through the appropriate (side or rear) entry hole. Screw the back mounting plate to the ceiling or back box via the mounting holes. Wire the cables into the sensor head block terminal. Push the sensor head onto the mounting plate and align the side clips with the slots on the sensor heads.

OPERATION

To check the operation of the MESH-CESR:

- Turn on the supply then after 20 seconds if the sensor has recognised movement of a person within its zone of detection the integral red LED on MESH-CESR will stay illuminated for 4 seconds before the red LED turns off.
- Thereafter, every time movement is detected by MESH-CESR the integral red LED will stay illuminated for 4 seconds.

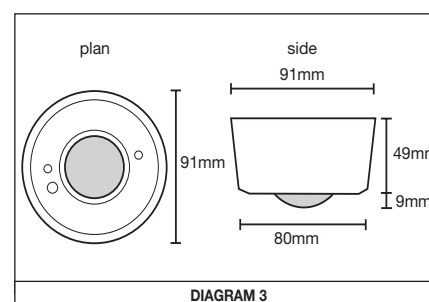
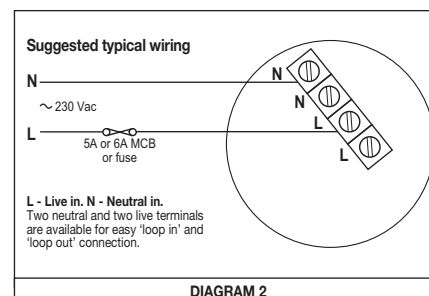
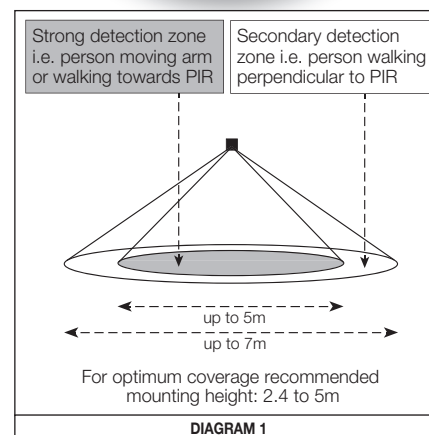
The control also features adjustable time out (time lag) control and daylight threshold control which are configured by the Silvair APP.

PRECAUTIONS

- Do not place the MESH-CESR near heat sources, fans or in ventilated ceiling voids.
- MESH-CESR can be wired in parallel (sharing the same Live and Neutral).
- Do not place close to, or positioned such that, any light source points directly into the MESH-CESR.
- Ensure wires and cables are securely held within the connection terminals.
- The MESH-CESR should be protected by a 5 or 6 Ampere mcb or fuse.
- Disconnect the MESH-CESR from the circuit before performing insulation testing of the wiring circuit.**

TECHNICAL DETAILS

INPUT	
Voltage:	100 - 240Vac
Frequency:	50/60Hz
Max. mains current:	20mA
Standby current:	14mA
RADIO TRANSCIVER	
Operating frequencies:	2.4... 2,483 GHz
Max. output power:	+4 dBm
LUX PARAMETERS	
Range:	5 - 2000 lux
OPERATING CONDITIONS	
Note: The temperature difference between the detection target and the background must be at least 4 °C.	
Ambient temperature:	-20... +40 °C (Iout 20mA)
Storage temperature:	-25... +75 °C
Max. relative humidity:	0... 80%, non cond.
CONNECTORS	
Terminal block	0,5mm ² - 2,5mm ²
Wire size:	solid or stranded
Wire strip length:	6-7mm
Tightening torque:	0,4 Nm/4 Kgf.cm
MECHANICAL DATA	
Dimensions:	49mm x 91mm x 91mm
Weight:	98g (unpacked)
Degree of protection:	IP20
Protection class:	Built-in Class 2
Material (casing)	Flame-retardant polycarbonate
Finish / Colour	Matt /White (RAL 9003)
Protection class:	Built-in Class 2
CONFORMITY AND STANDARDS	
EMC emission: EN 301 489-1 V2.2.0, EN 301 489-17 V3.1.1, EN 55032: 2015, EN61000-3-2: 2014, EN61000-3-3: 2013	
EMC immunity: EN 301 489-1 V2.2.0, EN 301 489-17 V3.1.1	
Environment: Complies with WEEE and RoHS directives	
CB scheme: IEC60669-1:1998, IEC60669-1:1998/AMD1:1999, IEC60669-1:1998/AMD2:2006, IEC60669-2:2002, IEC60669-2-1:2002/AMD1:2008,	



5 YEAR WARRANTY

MESH-CESR comes with a 5 year warranty from the date of manufacture and is CE marked.



MESH-CESR

Ceiling Surface Mount Passive Infra Red (PIR) Occupancy Detector & Photocell

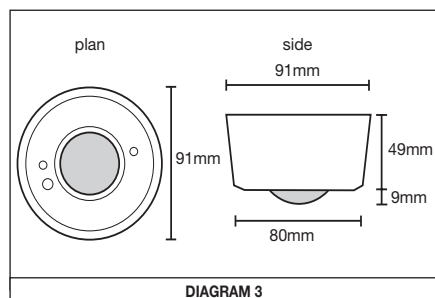
Input: 100-240 Vac 50/60Hz

PLEASE READ THESE INSTRUCTIONS BEFORE INSTALLING THE PRODUCT

NOTE: MESH-CESR is compatible with any qualified Bluetooth mesh components and commissioning tools. We recommend Silvair Commissioning as a reliable solution.



DIMENSIONS



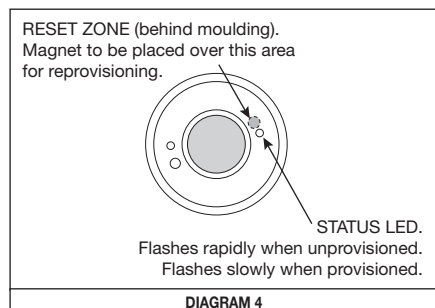
HALL EFFECT / FACTORY RESET:

This function allows a reset to be carried out in order to restore the default factory settings.

A factory reset will change the state of MESH-CESR from 'provisioned' to 'unprovisioned', i.e. all network settings will be lost. This functionality is required to allow re-provisioning MESH-CESR where control over the device is not functioning correctly.

TO REPROVISION:

Place a small magnet on the site of the Reset / Hall effect sensor (see diagram 4 below). To trigger the reset the magnet must be held in position for 5 seconds.



STATUS LED BLINKING SEQUENCE:

MESH-CESR Unprovisioned:	30ms ON	300ms OFF
MESH-CESR Provisioned:	15ms ON	2000ms OFF
Factory Reset:	500ms ON	1000ms OFF
Factory Reset (initial burst):	100ms ON	1000ms OFF
MESH package received:	30ms ON	50ms OFF
Attention (from network):	500ms ON	500ms OFF