



MESH-CEFL

Ceiling Flush Mount Passive Infra Red (PIR) Occupancy Detector & Photocell

Input: 100-240 Vac 50/60Hz

PLEASE READ THESE INSTRUCTIONS BEFORE INSTALLING THE PRODUCT

NOTE: MESH-CEFL is compatible with any qualified Bluetooth mesh components and commissioning tools. We recommend Silvoir Commissioning as a reliable solution.

This flush mounted MESH-CEFL is suitable for easy mounting through a 73/75mm diameter hole into a ceiling void which is at least 78mm deep. Configurable for any room occupancy style, via the Silvoir Platform (App and Web).

INSTALLATION

To be installed by a competent person with reference to BS 7671 or equivalent local standards. If in doubt consult a qualified electrician.

- Plan where the MESH-CEFL is to be located (see diagram 1). Switch off supply and check for hidden cables and pipes. Make a 73/75mm diameter hole through a standard ceiling board.
- The MESH-CEFL should be connected as shown in diagram 2:
 - L - Live in. N - Neutral in.
- Ensure both springs are fitted to the moulding in the correct orientation (see diagram 3).
- Push the MESH-CEFL into the ceiling void, making reference to diagram 4.

OPERATION

To check the operation of the MESH-CEFL:

- Turn on the supply then after 20 seconds if the sensor has recognised movement of a person within its zone of detection the integral red LED on MESH-CEFL will stay illuminated for 4 seconds before the red LED turns off.
- Thereafter, every time movement is detected by MESH-CEFL the integral red LED will stay illuminated for 4 seconds.

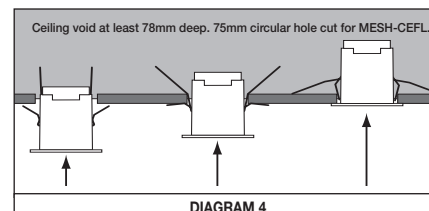
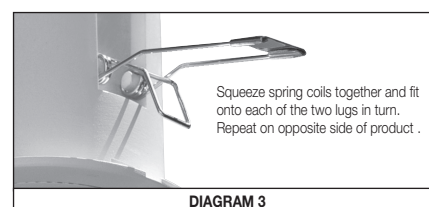
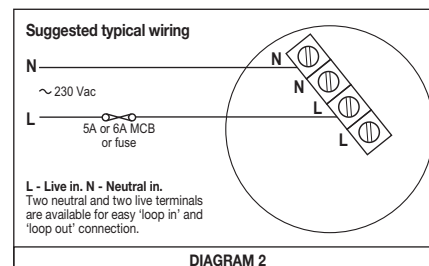
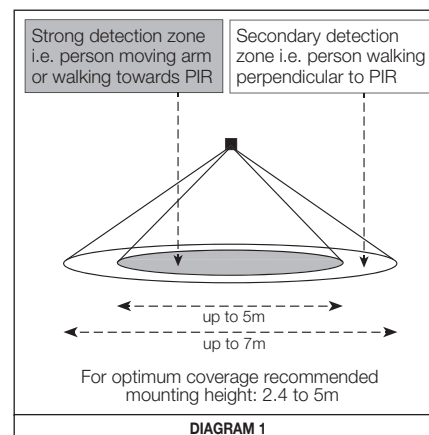
The control also features adjustable time out (time lag) control and daylight threshold control which are configured via the Silvoir Platform.

PRECAUTIONS

- Do not place the MESH-CEFL near heat sources, fans or in ventilated ceiling voids.
- MESH-CEFL can be wired in parallel (sharing the same Live and Neutral).
- Do not place close to, or positioned such that, any light source points directly into the MESH-CEFL.
- Ensure wires and cables are securely held within the connection terminals.
- The MESH-CEFL should be protected by a 5 or 6 Ampere mcb or fuse.
- Disconnect the MESH-CEFL from the circuit before performing insulation testing of the wiring circuit.**

TECHNICAL DETAILS

INPUT	
Voltage:	100 - 240Vac
Frequency:	50/60Hz
Max. mains current:	20mA
Standby current:	14mA
RADIO TRANSCIVER	
Operating frequencies:	2.4... 2,480 GHz
Max. output power:	+4 dBm
LUX PARAMETERS	
Range:	5 - 2000 lux
OPERATING CONDITIONS	
Note: The temperature difference between the detection target and the background must be at least 4 °C.	
Ambient temperature:	-20... +40 °C (Iout 20mA)
Storage temperature:	-25... +75 °C
Max. relative humidity:	0... 80%, non cond.
CONNECTORS	
Terminal block	0.5mm ² - 2.5mm ² solid or stranded
Wire size:	
Wire strip length:	6-7mm
Tightening torque:	0,4 Nm/4 Kgf.cm
MECHANICAL DATA	
Dimensions:	79mm x 85mm x 85mm
Weight:	97g (unpacked)
Degree of protection:	IP40
Protection class:	Built-in Class 2
Material (casing)	Flame-retardant polycarbonate
Finish / Colour	Matt /White (RAL 9003)
Protection class:	Built-in Class 2
CONFORMITY AND STANDARDS	
EMC emission: EN 301 489-1 V2.2.0, EN 301 489-17 V3.1.1, EN 55032: 2015, EN61000-3-2: 2014, EN61000-3-3: 2013	
EMC immunity: EN 301 489-1 V2.2.0, EN 301 489-17 V3.1.1	
Environment: Complies with WEEE and RoHS directives	
CB scheme: IEC60669-1:1998, IEC60669-1:1998/AMD1:1999, IEC60669-1:1998/AMD2:2006, IEC60669-2:2002, IEC60669-2-1:2002/AMD1:2008,	



DIMENSIONS, HALL EFFECT AND FACTORY RESET:

See overleaf for details.

5 YEAR WARRANTY

MESH-CEFL comes with a 5 year warranty from the date of manufacture and is CE marked.



DANLERS Limited, Vincients Road, CHIPPENHAM, Wiltshire, SN14 6NQ, UK.
Telephone: +44 (0)1249 443377 Fax: +44 (0)1249 443388 E-mail: sales@danlers.co.uk
www.danlers.co.uk

Company Registered Number 2570169 VAT Registration Number 543 5491 38



MESH-CEFL

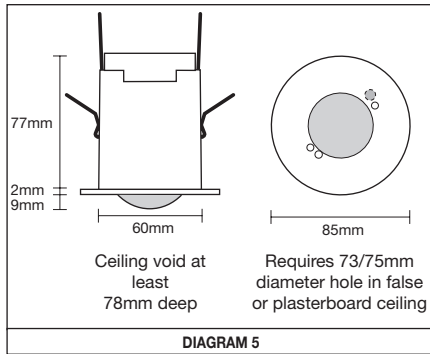
Ceiling Flush Mount Passive Infra Red (PIR) Occupancy Detector & Photocell

Input: 100-240 Vac 50/60Hz

PLEASE READ THESE INSTRUCTIONS BEFORE INSTALLING THE PRODUCT

NOTE: MESH-CEFL is compatible with any qualified Bluetooth mesh components and commissioning tools. We recommend Silvrair Commissioning as a reliable solution.

DIMENSIONS



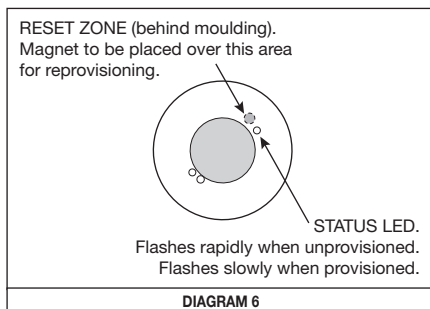
HALL EFFECT / FACTORY RESET:

This function allows a reset to be carried out in order to restore the default factory settings.

A factory reset will change the state of MESH-CEFL from 'provisioned' to 'unprovisioned', i.e. all network settings will be lost. This functionality is required to allow reprovisioning MESH-CEFL where control over the device is not functioning correctly.

TO REPROVISION:

Place a small magnet on the site of the Reset / Hall effect sensor (see diagram 6 below). To trigger the reset the magnet must be held in position for 5 seconds.



STATUS LED BLINKING SEQUENCE:

MESH-CEFL Unprovisioned:	30ms ON	300ms OFF
MESH-CEFL Provisioned:	15ms ON	2000ms OFF
Factory Reset:	500ms ON	1000ms OFF
Factory Reset (initial burst):	100ms ON	1000ms OFF
MESH package received:	30ms ON	50ms OFF
Attention (from network):	500ms ON	500ms OFF