

# ISI-MNPIR5MSW

## Ceiling Flush Mount Passive Infra Red (PIR) Occupancy Detector & Photocell



Input: 100-240 Vac 50/60Hz

PLEASE READ THESE INSTRUCTIONS BEFORE INSTALLING THE PRODUCT  
NOTE: ISI-MNPIR5MSW is only compatible to work with DANLERS ISI enabled app.

This flush mounted ISI-MNPIR5MSW is suitable for easy mounting through a 38/40mm diameter hole into a ceiling void which is at least 60mm deep. Configurable for any room occupancy style, via the free to download DANLERS ISI APP on Google Play or Apple APP Store.

### INSTALLATION

To be installed by a competent person with reference to BS 7671 or equivalent local standards. If in doubt consult a qualified electrician.

- Plan where the ISI-MNPIR5MSW is to be located (see diagram 1). Switch off supply and check for hidden cables and pipes. Make a 38/40mm diameter hole through a standard ceiling board.
- The MNPIR5MSW should be connected as shown in diagram 2:  
L - Live in. N - Neutral in. SW - Switched line.
- Ensure both springs are fitted to the ISI-MNPIR5MSW in the correct orientation (see diagram 3)
- Fit one end of the Telejack into the MNPIR5MSW the other end fit to the ISI-MNPIR5SW. (see diagram 4)
- Push both connected products into the ceiling void.

### OPERATION

To check the operation of the ISI-MNPIR5MSW subject to software version:

- Turn on the supply then after 20 seconds if the sensor has recognised movement of a person within its zone of detection the integral red LED on ISI-MNPIR5MSW will flash before the red LED turns off.
- Thereafter, every time movement is detected by ISI-MNPIR5MSW the integral red LED will flash.

The control also features adjustable time out (time lag) control and daylight threshold control which are configured by the DANLERS ISI APP.

### PRECAUTIONS

- Do not place the ISI-MNPIR5MSW near heat sources, fans or in ventilated ceiling voids.
- Do not place close to, or positioned such that, any light source points directly into the ISI-MNPIR5MSW.
- Ensure wires and cables are securely held within the connection terminals.
- The ISI-MNPIR5MSW should be protected by a 5 or 6 Ampere mcb or fuse.
- Disconnect the ISI-MNPIR5MSW from the circuit before performing insulation testing of the wiring circuit.**

### TECHNICAL DETAILS

INPUT	
Voltage:	100 - 240Vac
Frequency:	50/60Hz
Max. mains current:	20mA
Standby current:	14mA
LOADING	
Fluorescent lamps, either high frequency	2 amps (450W)
Incandescent or mains halogen lamps	2 amps (450W)
LED lamps and drivers (PF ≥ 0.95).	2 amps (450W)
RADIO TRANSCEIVER	
Operating frequencies:	2.4... 2,480 GHz
Max. output power:	+4 dBm
LUX PARAMETERS	
Range:	5 - 2000 lux
OPERATING CONDITIONS	
Note: The temperature difference between the detection target and the background must be at least 4 °C.	
Ambient temperature:	-20... +40 °C
Storage temperature:	-25... +75 °C
Max. relative humidity:	0... 80%, non cond.
CONNECTORS	
Terminal block Wire size:	0.5mm <sup>2</sup> - 2.5mm <sup>2</sup> solid or stranded
Wire strip length:	6-7mm
Tightening torque:	0,4 Nm/4 Kgf.cm
MECHANICAL DATA	
Dimensions:	See diagram 3
Weight:	102g (unpacked)
Degree of protection:	IP40
Protection class:	Built-in Class 2
Material (casing)	Flame-retardant polycarbonate
Finish / Colour	Matt /White (RAL 9003)
Protection class:	Built-in Class 2
CONFORMITY AND STANDARDS	
<b>EMC emission:</b> EN 301 489-1 V2.2.0, EN 301 489-17 V3.1.1, EN 55032: 2015, EN61000-3-2: 2014, EN61000-3-3: 2013	

**EMC immunity:**  
EN 301 489-1 V2.2.0,  
EN 301 489-17 V3.1.1

**Environment:**  
Complies with WEEE and RoHS directives

### 5 YEAR WARRANTY

ISI-MNPIR5MSW comes with a 5 year warranty from the date of manufacture and is CE marked.

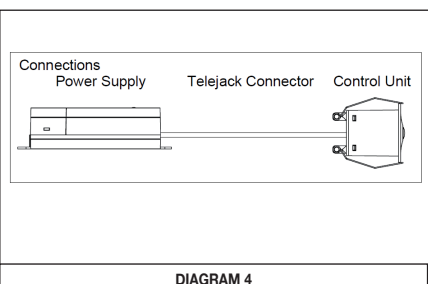
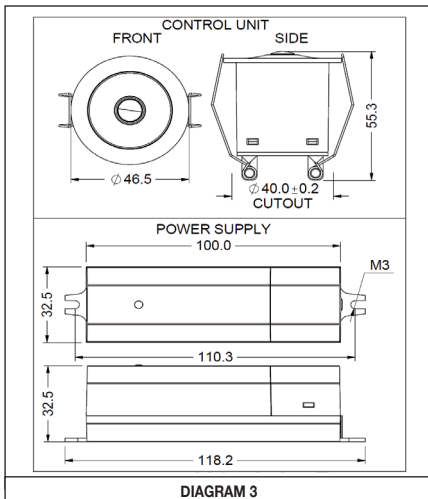
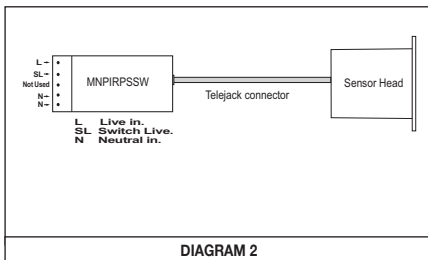
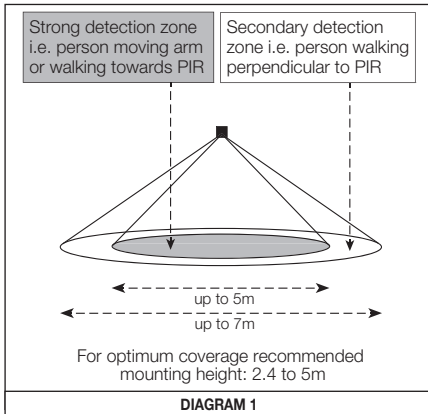


# ISI-MNPIR5MSW

## Ceiling Flush Mount Passive Infra Red (PIR) Occupancy Detector & Photocell

Input: 100-240 Vac 50/60Hz

PLEASE READ THESE INSTRUCTIONS BEFORE INSTALLING THE PRODUCT  
NOTE: ISI-MNPIR5MSW is only compatible to work with DANLERS ISI enabled app



DANLERS Limited, Vincients Road, CHIPPENHAM, Wiltshire, SN14 6NQ, UK.  
Telephone: +44 (0)1249 443377 Fax: +44 (0)1249 443388 E-mail: sales@danlers.co.uk  
[www.danlers.co.uk](http://www.danlers.co.uk) Company Registered Number 2570169 VAT Registration Number 543 5491 38  
17/08/2023

DAT0235 ISI-MNPIR5MSW

# DANLERS