

ISI-MNPIR5MDALI

Ceiling Flush Mount Passive Infra Red (PIR) Occupancy Detector & Photocell

Input: 100-240 Vac 50/60Hz



PLEASE READ THESE INSTRUCTIONS BEFORE INSTALLING THE PRODUCT
NOTE: ISI-MNPIR5MDALI is only compatible to work with DANLERS enabled app.

This flush mounted ISI-MNPIR5MDALI is suitable for easy mounting through a 38/40mm diameter hole into a ceiling void which is at least 60mm deep. Configurable for any room occupancy style, via the free to download DANLERS ISI APP on Google Play or Apple APP Store.

INSTALLATION

To be installed by a competent person with reference to BS 7671 or equivalent local standards. If in doubt consult a qualified electrician.

- Plan where the ISI-MNPIR5MDALI is to be located (see diagram 1). Switch off supply and check for hidden cables and pipes. Make a 38/40mm diameter hole through a standard ceiling board.
- The MNPIR5MDALI should be connected as shown in diagram 2, to the power supply:
L - Live in. N - Neutral in. +DA/-DA - DALI control lines (Polarity independent)
- Ensure both springs are fitted to the ISI-MNPIR5MDALI in the correct orientation (see diagram 3).
- Fit one end of the Telejack into the MNPIR5MDALI the other end fit to the ISI-MNPIR5MDALI. (see diagram 4)
- Push both connected products into the ceiling void.

OPERATION

To check the operation of the ISI-MNPIR5MDALI subject to software version:

- Turn on the supply then after 20 seconds if the sensor has recognised movement of a person within its zone of detection the integral red LED on ISI-MNPIR5MDALI will flash before the red LED turns off.
- Thereafter, every time movement is detected by ISI-MNPIR5MDALI the integral red LED will flash.

The control also features adjustable time out (time lag) control and daylight threshold control which are configured by the DANLERS ISI APP.

PRECAUTIONS

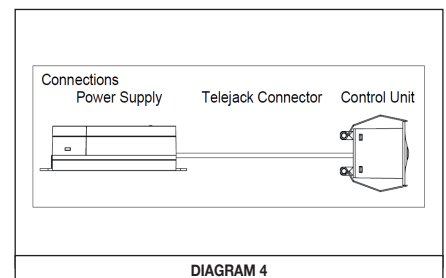
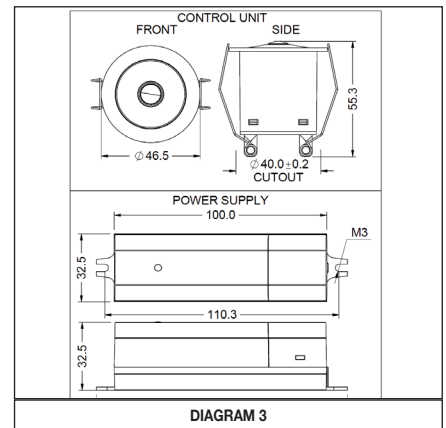
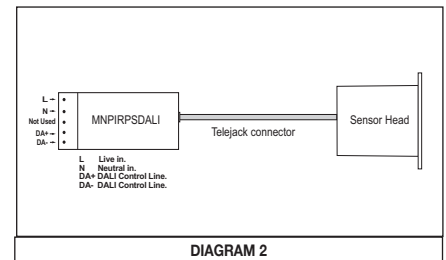
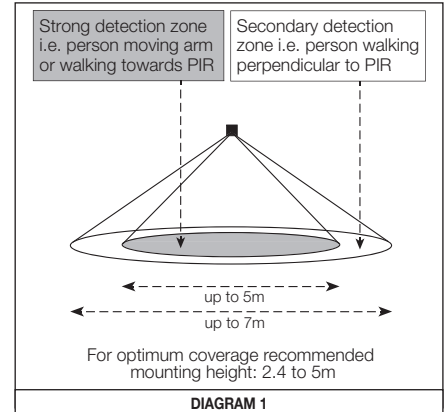
- Do not place the ISI-MNPIR5MDALI near heat sources, fans or in ventilated ceiling voids.
- Do not place close to, or positioned such that, any light source points directly into the ISI-MNPIR5MDALI.
- Ensure wires and cables are securely held within the connection terminals.
- The ISI-MNPIR5MDALI should be protected by a 5 or 6 Ampere mcb or fuse.
- Disconnect the ISI-MNPIR5MDALI from the circuit before performing insulation testing of the wiring circuit.**

TECHNICAL DETAILS

INPUT	
Voltage:	100 - 240Vac
Frequency:	50/60Hz
Max. mains current:	20mA
Standby current:	18mA
OUTPUT	
Output:	DALI 15VDC
Output Current:	16mA (maximum 8 ballasts)
RADIO TRANSCEIVER	
Operating frequencies:	2.4... 2,480 GHz
Max. output power:	+4 dBm
LUX PARAMETERS	
Range:	5 - 2000 lux
OPERATING CONDITIONS	
Note: The temperature difference between the detection target and the background must be at least 4 °C.	
Ambient temperature:	-20... +40 °C
Storage temperature:	-25... +75 °C
Max. relative humidity:	0... 80%, non cond.
CONNECTORS	
Terminal block Wire size:	0.5mm ² - 2.5mm ² solid or stranded
Wire strip length:	6-7mm
Tightening torque:	0,4 Nm/4 Kgf.cm
MECHANICAL DATA	
Dimensions:	See Diagram 3
Weight:	85g (unpacked)
Degree of protection:	IP40
Protection class:	Built-in Class 2
Material (casing)	Flame-retardant polycarbonate
Finish / Colour	Matt /White (RAL 9003)
Protection class:	Built-in Class 2
CONFORMITY AND STANDARDS	
EMC emission: EN 301 489-1 V2.2.0, EN 301 489-17 V3.1.1, EN 55032: 2015, EN61000-3-2: 2014, EN61000-3-3: 2013	
EMC immunity: EN 301 489-1 V2.2.0, EN 301 489-17 V3.1.1	
Environment: Complies with WEEE and RoHS directives	

5 YEAR WARRANTY

ISI-MNPIR5MDALI comes with a 5 year warranty from the date of manufacture and is CE marked.



DANLERS

DANLERS Limited, Vincients Road, CHIPPENHAM, Wiltshire, SN14 6NQ, UK.
Telephone: +44 (0)1249 443377 Fax: +44 (0)1249 443388 E-mail: sales@danlers.co.uk
www.danlers.co.uk

Company Registered Number 2570169 VAT Registration Number 543 5491 38