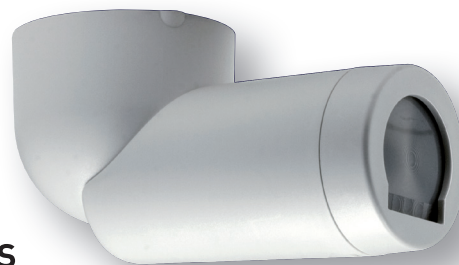


WM-CEDRPLR

Plug-in Directional Passive Infra Red (PIR) Occupancy Detector & Photocell

Input: 100-240 Vac 50/60Hz



PLEASE READ THESE INSTRUCTIONS BEFORE INSTALLING THE PRODUCT

NOTE: WM-CEDRPLR is only compatible to work via the WIREPAS PLATFORM.

This directional long range WM-CEDRPLR can plug into a ceiling mounted socket (not included) - DANLERS Product Code: WM-CESO. The socket can be mounted onto an appropriate BESA box or pattress box. Configurable for any room occupancy style, via the WIREPAS Platform (App and Web).

INSTALLATION

To be installed by a competent person with reference to BS 7671 or equivalent local standards. If in doubt consult a qualified electrician.

- Plan where the WM-CEDRPLR is to be located (see diagram 1). Switch off supply and check for hidden cables and pipes.
- The WM-CEDRPLR plugs into a ceiling mounted socket (not included) - DANLERS Product Code: WM-CESO.
- The WM-CEDRPLR should be connected as shown in diagram 2:
L - Live in. N - Neutral in.

OPERATION

To check the operation of the WM-CEDRPLR:

- Turn on the supply then after 20 seconds if the sensor has recognised movement of a person within its zone of detection the integral red LED on WM-CEDRPLR will stay illuminated for 4 seconds before the red LED turns off.
- Thereafter, every time movement is detected by WM-CEDRPLR the integral red LED will stay illuminated for 4 seconds.

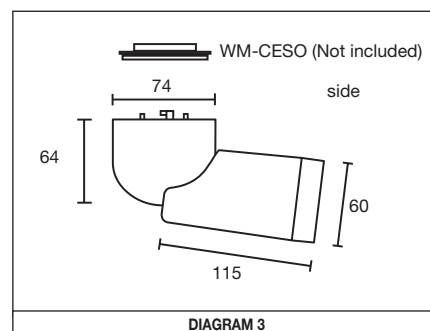
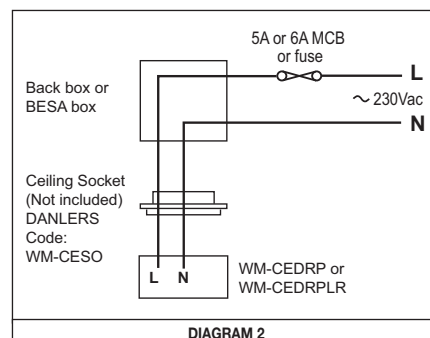
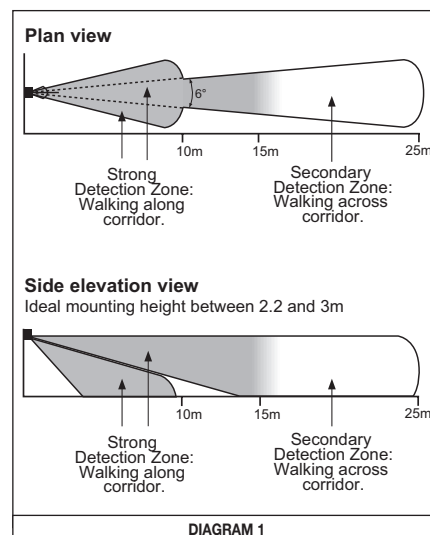
The control also features adjustable time out (time lag) control and daylight threshold control which are configured by the WIREPAS APP.

PRECAUTIONS

- Do not place the WM-CEDRPLR near heat sources, fans or in ventilated ceiling voids.
- WM-CEDRPLR can be wired in parallel (sharing the same Live and Neutral).
- Do not place close to, or positioned such that, any light source points directly into the WM-CEDRPLR.
- Ensure wires and cables are securely held within the connection terminals.
- The WM-CEDRPLR should be protected by a 5 or 6 Ampere mcb or fuse.
- Disconnect the WM-CEDRPLR from the circuit before performing insulation testing of the wiring circuit.**

TECHNICAL DETAILS

INPUT	
Voltage:	100 - 240Vac
Frequency:	50/60Hz
Max. mains current:	20mA
Standby current:	14mA
RADIO TRANSCIEVER	
Operating frequencies:	2.4... 2,483 GHz
Max. output power:	+4 dBm
LUX PARAMETERS	
Range:	5 - 2000 lux
OPERATING CONDITIONS	
Note: The temperature difference between the detection target and the background must be at least 4 °C.	
Ambient temperature:	-20... +40 °C (lout 20mA)
Storage temperature:	-25... +75 °C
Max. relative humidity:	0... 80%, non cond.
CONNECTORS	
Terminal block Wire size:	0.5mm ² - 2.5mm ² solid or stranded
Wire strip length:	6-7mm
Tightening torque:	0,4 Nm/4 Kgf.cm
MECHANICAL DATA	
Dimensions:	74mm x 90mm x 152mm (adjustable)
Weight:	172g (unpacked)
Degree of protection:	IP20
Protection class:	Built-in Class 2
Material (casing)	Flame-retardant polycarbonate
Finish / Colour	Matt /White (RAL 9003)
Protection class:	Built-in Class 2
CONFORMITY AND STANDARDS	
EMC emission: EN 301 489-1 V2.2.0, EN 301 489-17 V3.1.1, EN 55032: 2015, EN61000-3-2: 2014, EN61000-3-3: 2013	
EMC immunity: EN 301 489-1 V2.2.0, EN 301 489-17 V3.1.1	
Environment: Complies with WEEE and RoHS directives	
CB scheme: IEC60669-1:1998, IEC60669-1:1998/AMD1:1999, IEC60669-1:1998/AMD2:2006, IEC60669-2:2002, IEC60669-2-1:2002/AMD1:2008,	



5 YEAR WARRANTY

WM-CEDRPLR comes with a 5 year warranty from the date of manufacture and is CE marked.



DANLERS Limited, Vincients Road, CHIPPENHAM, Wiltshire, SN14 6NQ, UK.
Telephone: +44 (0)1249 443377 Fax: +44 (0)1249 443388 E-mail: sales@danlers.co.uk
www.danlers.co.uk

Company Registered Number 2570169 VAT Registration Number 543 5491 38

DANLERS