

# Mymesh Product Sheet

Connect any light, anywhere.



## MYMESH-GRRTCB

### Push and Rotary Grid Dimmer suitable for Crabtree grid for use with Mymesh controls

(Input: 100-240 Vac 50/60Hz)

MYMESH-GRRTCB is designed to control the brightness and colour temperature of lighting loads controlled by Mymesh dimmable devices. Configurable via the Mymesh App.

MYMESH-GRRTCB is suitable for Crabtree grid. The control comprises a push-push switch with a rotary control function.

#### Installation:

To be installed by a competent person with reference to BS 7671 or equivalent local standards. If in doubt consult a qualified electrician.

- Plan where the MYMESH-GRRTCB is to be located. Switch off supply and check for hidden cables and pipes.
- The MYMESH-GRRTCB should be connected as shown in diagrams 1 and 2:  
L - Live in. N - Neutral in.
- Wall box depth - 40mm.

#### Operation:

As configured via the Mymesh App.

#### Precautions:

- Ensure wires and cables are securely held within the connection terminals.
- Please ensure the most recent edition of the appropriate local wiring regulations are observed and suitable protection is provided e.g. 6 amps over current, 1kV over voltage.
- Disconnect the MYMESH-GRRTCB from the circuit before performing insulation testing of the wiring circuit.

#### 5 YEAR WARRANTY

MYMESH-GRRTCB comes with a 5 year warranty from the date of manufacture and is CE marked.



# MYMESH-GRRTCB: Technical Specifications

DIAGRAM 1:  
Wiring:

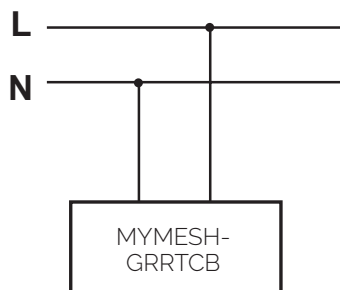
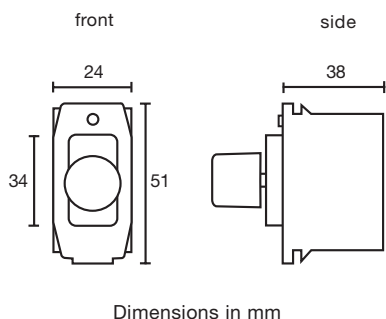


DIAGRAM 2:  
Dimensions:



## Technical details:

<b>INPUT</b>	
Voltage:	100 - 240Vac
Frequency:	50/60Hz
Max. mains current:	20mA
Standby current:	16mA
<b>RADIO TRANSCEIVER</b>	
Operating frequencies:	2.4... 2.483 GHz
Max. output power:	+4 dBm
<b>OPERATING CONDITIONS</b>	
Ambient temperature:	-20... +50 °C (lout 20mA)
Storage temperature:	-25... +75 °C
Max. relative humidity:	0... 80%, non cond.
<b>CONNECTORS</b>	
Terminal block Wire size:	0.5mm <sup>2</sup> - 2.5mm <sup>2</sup> solid or stranded
Wire strip length:	6-7mm
Tightening torque:	0.4 Nm/4 Kgf.cm
<b>MECHANICAL DATA</b>	
Dimensions:	51mm x 24mm x 38mm
Weight:	35g (unpacked)
Degree of protection:	IP20
Protection class:	Built-in Class 2
Material (casing)	Flame-retardant polycarbonate
Finish / Colour	Matt /White (RAL 9003)
Protection class:	Built-in Class 2
<b>CONFORMITY AND STANDARDS</b>	
<b>EMC emission:</b> EN60669-2-1:2004 inc. A12:2010	
<b>EMC immunity:</b> EN60669-2-1:2004 inc. A12:2010	
<b>Safety:</b> EN60669-2-1:2004 inc. A12:2010	
<b>Environment:</b> Complies with WEEE and RoHS directives	