

Mymesh Product Sheet

Connect any light, anywhere.



MYMESH-MOD3M

Passive Infra Red (PIR) Occupancy Detector & Photocell Module

(Input: 100-240 Vac 50/60Hz)

This MYMESH-MOD3M module is designed for building into luminaires or it can be mounted onto a Eurodata plate. Configurable for any room occupancy style, via the Mymesh App.

Installation:

Please read these instructions before installing the product.

NOTE: MYMESH-MOD3M is compatible with Mymesh commissioning tools.

To be installed by a competent person with reference to BS 7671 or equivalent local standards. If in doubt consult a qualified electrician.

- A mounting bezel is supplied to assist manufacturers to mount the MYMESH-MOD3M control unit into a luminaire housing.
- The MYMESH-MOD3M control unit snap fits into the mounting bezel.
- The Power Supply (MESH-PS) for the MYMESH-MOD3M device should be connected as shown in diagram 2:
L - Live in. N - Neutral in.
- MYMESH-MOD3M must be connected to the Power Supply (MESH-PS) via the telejack communication cable provided.
NOTE: The use of non compatible connectors may damage the MYMESH-MOD3M or MESH-PS and will invalidate the warranty.

Operation:

To check the operation of the MYMESH-MOD3M:

- Turn on the supply then after 20 seconds if the sensor has recognised movement of a person within its zone of detection the integral red LED on MYMESH-MOD3M will stay illuminated for 4 seconds before the red LED turns off.
- Thereafter, every time movement is detected by MYMESH-MOD3M the integral red LED will stay illuminated for 4 seconds.

The control also features adjustable time out (time lag) control and daylight threshold control which are configured via the Mymesh App.

Precautions:

- Do not place the MYMESH-MOD3M near heat sources, fans or in ventilated ceiling voids.
- MYMESH-MOD3M can be wired in parallel (sharing the same Live and Neutral).
- Do not place close to, or positioned such that, any light source points directly into the MYMESH-MOD3M.
- Ensure wires and cables are securely held within the connection terminals.
- The MYMESH-MOD3M should be protected by a 5 or 6 Ampere mcb or fuse.
- Disconnect the MYMESH-MOD3M from the circuit before performing insulation testing of the wiring circuit.

Status LED blinking sequence:

See diagram 4 overleaf.

Normal:	Both LED's off.
Identification of device:	Red LED blinks.

MYMESH-MOD3M : Technical Specifications

DIAGRAM 1:
Detection

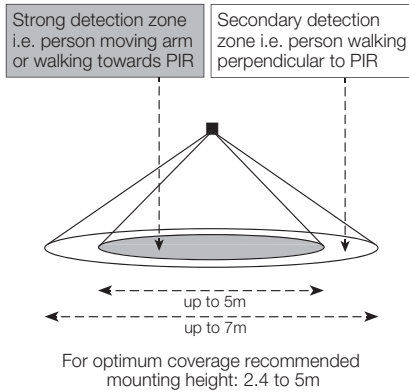


DIAGRAM 2:
Wiring:

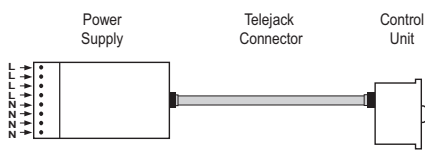


DIAGRAM 3:
Dimensions:

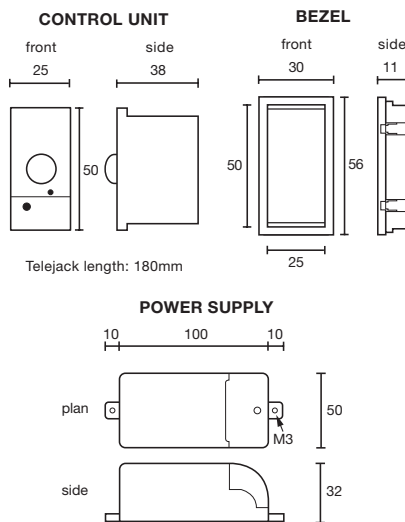


DIAGRAM 4:
Status LED:



Technical details:

INPUT	
Voltage:	100 - 240Vac
Frequency:	50/60Hz
Max. mains current:	20mA
Standby current:	14mA
RADIO TRANSCIVER	
Operating frequencies:	2.4... 2.480 GHz
Max. output power:	+4 dBm
LUX PARAMETERS	
Range:	5 - 2000 lux
OPERATING CONDITIONS	
Note: The temperature difference between the detection target and the background must be at least 4 °C.	
Ambient temperature:	-20... +40 °C (lout 20mA)
Storage temperature:	-25... +75 °C
Max. relative humidity:	0... 80%, non cond.
CONNECTORS	
Terminal block Wire size:	0.5mm ² - 2.5mm ² solid or stranded
Wire strip length:	6-7mm
Tightening torque:	0.4 Nm/4 Kgf.cm
MECHANICAL DATA	
Dimensions:	Control: 25 x 50 x 38mm Bezel: 30 x 56 x 11mm Power Supply: 50 x 120 x 132mm Telejack: 180mm
Weight:	105g (unpacked)
Degree of protection:	IP20
Protection class:	Built-in Class 2
Material (casing)	Flame-retardant polycarbonate
Finish / Colour	Matt /White (RAL 9003)
Protection class:	Built-in Class 2
CONFORMITY AND STANDARDS	
EMC emission: EN 301 489-1 V2.2.0, EN 301 484-3 EN 55032: 2015, EN61000-3-2: 2014, EN61000-3-3: 2013	
EMC immunity: EN 301 489-1 V2.2.0, EN 301 484-3	
Environment: Complies with WEEE and RoHS directives	
CB scheme: IEC60669-1:1998, IEC60669-1:1998/AMD1:1999, IEC60669-1:1998/AMD2:2006, IEC60669-2:2002, IEC60669-2-1:2002/AMD1:2008,	
Radio: EN 300 440	

5 YEAR WARRANTY

MYMESH-MOD3M comes with a 5 year warranty from the date of manufacture and is CE marked.

