

CBU-GREU

Push Button Control suitable for Eurodata plates for use with Casambi controls

Input: 220-240 Vac 50Hz

CASAMBI



PLEASE READ THESE INSTRUCTIONS BEFORE INSTALLING THE PRODUCT
NOTE: CBU-GREU is only compatible to work with CASAMBI enabled equipment

CBU-GREU is designed to control the brightness and colour temperature of lighting loads controlled by Casambi dimmable devices. Configurable via the free to download Casambi APP on Google Play or Apple APP Store.



CBU-GREU is suitable for Eurodata plates. The control comprises a push button (push on, push off, hold to dim).

INSTALLATION

To be installed by a competent person with reference to BS 7671 or equivalent local standards. If in doubt consult a qualified electrician.

- Plan where the CBU-GREU is to be located. Switch off supply and check for hidden cables and pipes.
- The CBU-GREU should be connected as shown in diagrams 1 and 2:
L - Live in. N - Neutral in.
- Wall box depth - 35mm.

OPERATION

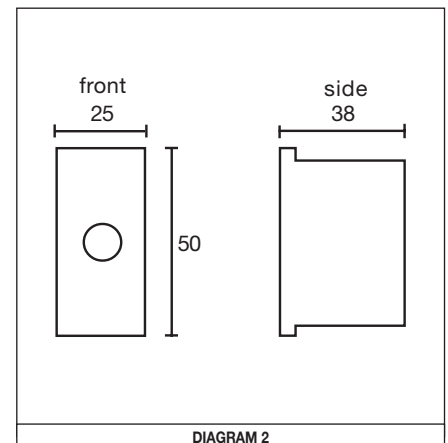
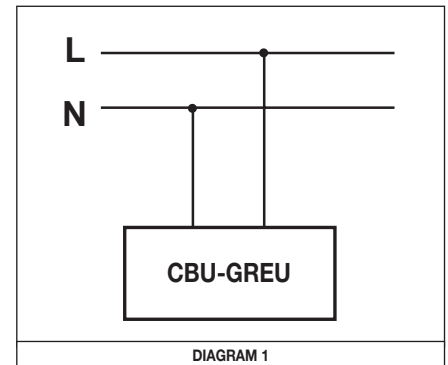
As configured via the Casambi APP.

PRECAUTIONS

- Ensure wires and cables are securely held within the connection terminals.
- Please ensure the most recent edition of the appropriate local wiring regulations are observed and suitable protection is provided e.g. 6 amps over current, 1kV over voltage.
- Disconnect the CBU-GREU from the circuit before performing insulation testing of the wiring circuit.**

TECHNICAL DETAILS

INPUT	
Voltage:	220-240Vac
Frequency:	50Hz
Max. mains current:	20mA
Standby current:	16mA
RADIO TRANSCEIVER	
Operating frequencies:	2.4... 2,483 GHz
Max. output power:	+4 dBm
OPERATING CONDITIONS	
Note: The temperature difference between the detection target and the background must be at least 4 °C.	
Ambient temperature:	-20... +50 °C
Storage temperature:	-25... +75 °C
Max. relative humidity:	0... 80%, non cond.
CONNECTORS	
Terminal block Wire size:	0.5mm ² - 2.5mm ² solid or stranded
Wire strip length:	6-7mm
Tightening torque:	0,4 Nm/4 Kgf.cm
MECHANICAL DATA	
Dimensions:	50mm x 25mm x 38mm
Weight:	30g (unpacked)
Degree of protection:	IP20
Protection class:	Built-in Class 2
Material (casing)	Flame-retardant polycarbonate
Finish / Colour	Matt /White (RAL 9003)
Protection class:	Built-in Class 2
CONFORMITY AND STANDARDS	
EMC emission:	EN60669-2-1:2004 inc. A12:2010
EMC immunity:	EN60669-2-1:2004 inc. A12:2010
Safety:	EN60669-2-1:2004 inc. A12:2010
Environment:	Complies with WEEE and RoHS directives



5 YEAR WARRANTY

CBU-GREU comes with a 5 year warranty from the date of manufacture and is CE marked.



DANLERS Limited, Vincients Road, CHIPPENHAM, Wiltshire, SN14 6NQ, UK.
Telephone: +44 (0)1249 443377 Fax: +44 (0)1249 443388 E-mail: sales@danlers.co.uk
www.danlers.co.uk

Company Registered Number 2570169 VAT Registration Number 543 5491 38

DANLERS