

OUTDOOR SECURITY SWITCHES



Order code:
COPD

An outdoor PIR switch which turns on lights at night when somebody approaches. Welcomes friends and deters intruders. Ideal for security and convenience. A compact design for controlling new or existing outdoor lights.

Compact person detector

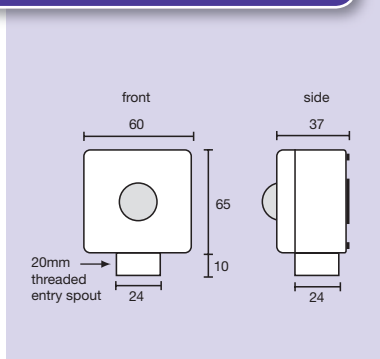
Functions and features

Switches lights on when somebody is detected.
Switches lights off when nobody has been detected for a chosen period.
The photocell can be set so that lights do not switch on during the day.
Compact polycarbonate moulding.

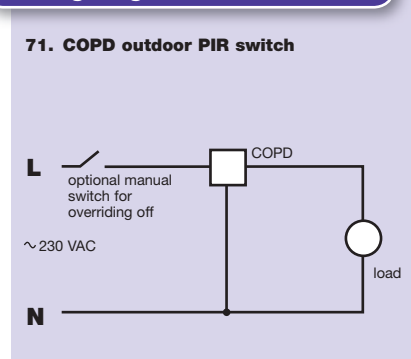
Specification

Weatherproof:	IP54 rating
Detection range:	Up to 10m
Detection angle:	120°
Time lag:	2 to 20 minutes (adjustable)
Photocell range:	10 lux to 300 lux (adjustable)
Loading:	Up to 6 amps (1500W) of resistive or up to 4 amps (1000W) of fluorescent or inductive lighting loads
Wiring diagram:	See diagram 71 below
Dimensions:	75 x 60 x 37mm

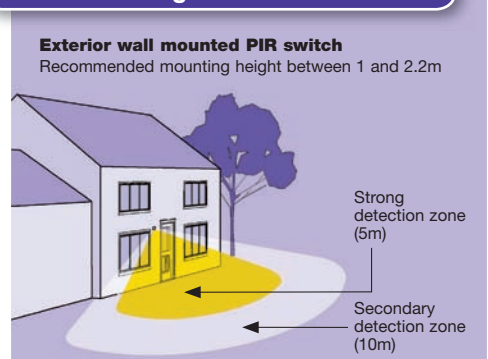
Dimensions in mm



Wiring diagram



Detection diagram



OUTDOOR SECURITY SWITCHES



Order code:
TWSW

Twilight and Dusk switches

Twilight switch: TWSW

Switches outdoor lights on at dusk and off at dawn. Ideal for all night security.

Features

Adjustable photocell.
Compact polycarbonate moulding.
Vandal resistant.

Specification

Weatherproof:	IP54 rating
Photocell range:	10 lux to 300 lux (adjustable)
Loading:	Up to 6 amps (1500W) of resistive or up to 4 amps (1000W) of fluorescent or inductive lighting loads
Wiring diagram:	See diagram 72 below
Dimensions:	75 x 60 x 37mm



Order code:
DUSW

Dusk switch: DUSW

Switches lights on at dusk and off after a chosen period. Ideal for outdoor lighting during the evening, for security and convenience.

Features

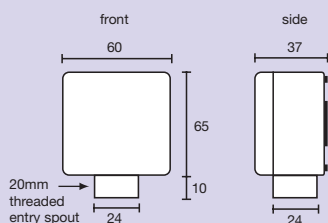
Adjustable photocell.
Adjustable time lag before switching off.
Compact polycarbonate moulding.
Vandal resistant.

Specification

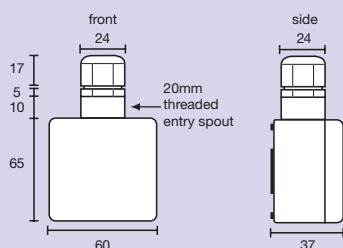
Weatherproof:	IP54 rating
Photocell range:	10 lux to 300 lux (adjustable)
Time lag:	2 to 16 hours (adjustable)
Loading:	Up to 6 amps (1500W) of resistive or up to 4 amps (1000W) of fluorescent or inductive lighting loads
Wiring diagram:	See diagram 72 below
Dimensions:	75 x 60 x 37mm

Dimensions in mm

TWSW Twilight switch



DUSW Dusk switch



Wiring diagram

72. Outdoor photocell switches TWSW or DUSW

