

DAYLIGHT LINKED DIMMERS



Order codes:
CEFL PHDD 10VDC
CEFL DD 10VDC

These automatically dim lights according to ambient light level to maintain a constant brightness of between 100 and 1000 lux (adjustable). For suspended or plasterboard ceilings. Complete with 2m cables for quick and easy installation.

Daylight linked dimmers

CEFL PHDD 10VDC

Has dimming and on/off switching and is suitable for dimmable ballasts with 1-10VDC input.

Specification

Photocell range: 100 to 1000 lux, falling on the working plane

Loading: Total load of ballast, lamps plus other load not more than 6 amps including fluorescent.
 Can control up to 20mA, eg. 20 ballasts at 1mA.
 Varies according to make and model of ballasts

Wiring diagram: See diagram 27 below

Dimensions: 72mm diameter x 68mm

CEFL DD 10VDC

Has dimming only and is suitable for dimmable ballasts with 1-10VDC input.

Specification

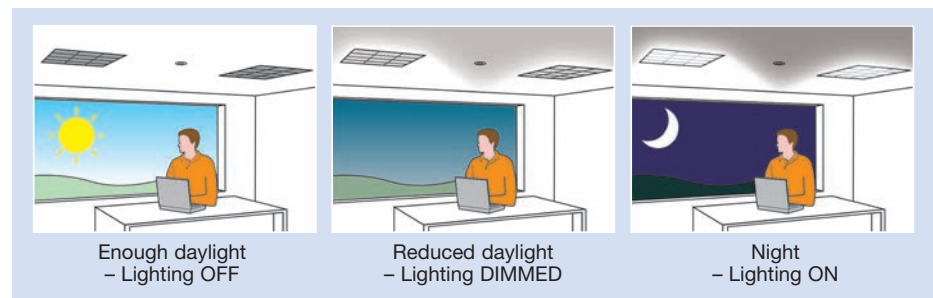
Photocell range: 100 to 1000 lux falling on the working plane

Loading: Total load of ballast, lamps plus other load not more than 6 amps including fluorescent.
 Can control up to 20mA, eg. 20 ballasts at 1mA.
 Varies according to make and model of ballasts.

Wiring diagram: See diagram 28 below

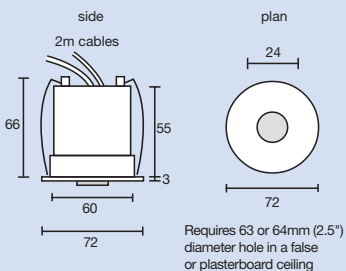
Dimensions: 72mm diameter x 68mm

Manual wall switch retained for overriding OFF



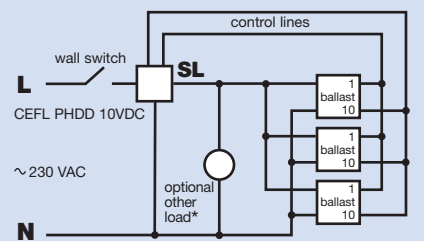
Dimensions in mm

CEFL PHDD 10VDC and CEFL DD 10VDC



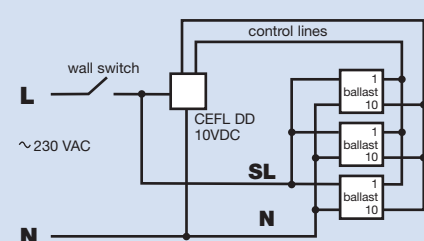
Wiring diagrams

27. CEFL PHDD 10VDC controlling several 1-10VDC dimmable ballasts



* Total load of ballasts, lamps plus other load not more than 6 amps

28. CEFL DD 10VDC controlling several 1-10VDC dimmable ballasts



DAYLIGHT LINKED DIMMERS



Order code:
CEFL PHDD DSI

Automatically dims lights according to ambient light level to maintain a constant brightness of between 100 and 1000 lux (adjustable). For suspended or plasterboard ceilings. Complete with 2m cables for quick and easy installation.

Daylight linked dimmers

CEFL PHDD DSI has dimming and on/off switching and is suitable for DSI dimmable ballasts

Specification

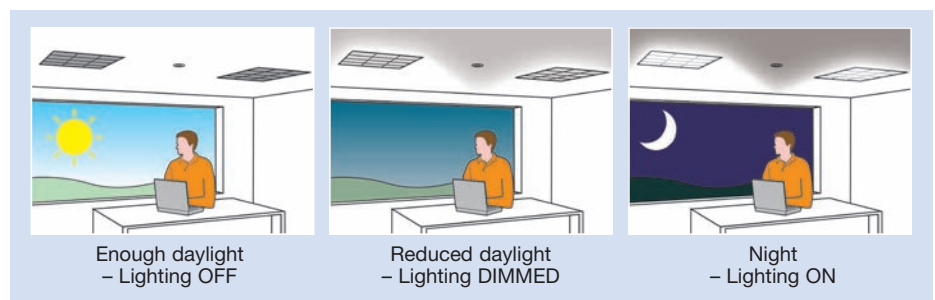
Photocell range: 100 to 1000 lux falling on the working plane

Loading: Total load of ballast, lamps plus other load not more than 6 amps including fluorescent.
Can control up to 20 DSI ballasts

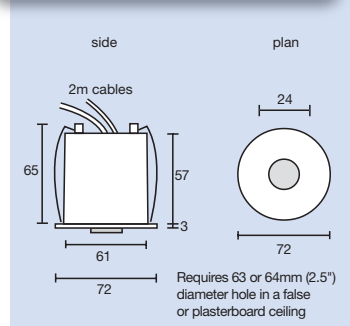
Wiring diagram: See diagram 29 below

Dimensions: 72mm diameter x 68mm

Manual wall switch retained for overriding OFF



Dimensions in mm



Wiring diagram

29. CEFL PHDD DSI controlling several DSI dimmable ballasts

