

Troubleshooting

What if the load does NOT turn ON.

Check to see if the live supply to the circuit is good.

What if the load does NOT turn OFF

Ensure that the area is left unoccupied (no movement in the area) for a greater time period than the time out period set on the dip switches.

Ensure MW6A2C IP67 is not in close proximity to vibrating surfaces or objects (eg. ventilation equipment).

MW6A2C IP67 can detect movement through thin partitions or walls - reduce the sensitivity.

Precautions and Warranty

This product conforms to BS EN 60669-2-1. Product complies to Class 2 insulation.

Please ensure the most recent edition of the appropriate local wiring regulations are observed and suitable protection is provided e.g. 10 amps over current, 1kV over voltage. Please ensure that this device is disconnected from the supply if an insulation test is made.

This product is covered by a warranty which extends to 5 years from the date of manufacture.

Products available from DANLERS

- PIR occupancy switches • Daylight linked dimmers • Manual high frequency dimmers
- Photocells • Radio remote controls • Time lag switches • Outdoor security switches
- Dimmers • Heating, ventilation and air-conditioning controls • Bespoke / O.E.M. products

Please call for more information or a free catalogue, or visit our website.

DANLERS Limited, Vincients Road, CHIPPENHAM, Wiltshire, SN14 6NQ, UK.
Telephone: +44 (0)1249 443377 Fax: +44 (0)1249 443388
E-mail: sales@danlers.co.uk Web: www.danlers.co.uk
Company Registered Number 2570169 VAT Registration Number 543 5491 38



Wall or ceiling mounted microwave presence detector switch 6 amp, 2 channel, IP67 rated

MW6A2C IP67

The DANLERS MW6A2C IP67 microwave presence detector can be wall or ceiling mounted and is designed for the automatic switching of lighting, heating and air conditioning loads.

The sensor detects movement within its range of detection by emitting low power microwave signals and measuring the reflections as the signal reflects off moving objects such as people moving through a room.

When movement is detected, the load switches on. If no more movement is detected within a certain time, the MW6A2C IP67 will switch the load off. The time can be set via the internal dip switches.

MW6A2C IP67 has a 25mm glanded cable entry or the supplied 20mm gland adaptor can be used.

Features

- Loop-in Loop-out terminals for ease of installation
- Two channels for switching two separate circuits
- Can also be wired to control two volt free circuits
- Up to 12m detection range

Total Loading

MW6A2C IP67 can switch up to 10 amps (2500W) total load of:

Fluorescent lamps, either high frequency or switch start.

Incandescent or mains halogen lamps (recommended with integral safety fuse).

MW6A2C IP67 can also switch (total load) up to:

6 amps (1500W) electronic or wire wound transformers.

6 amps (1500W) compact fluorescent or LEDs and drivers (PF \geq 0.95), 2D etc.

1 amp (250W) of fans.

Larger loads can be switched via a contactor.

Technical data

Operating voltage:	220-240V 50/60Hz
Detection area:	10 / 30 / 50 / 75 / 100%
Time lag:	5sec, 30sec, 1min, 5min, 20min, 30min
Sensor type:	Microwave motion detection
Frequency:	5.8GHz +/- 75MHz
Detection range:	12m x 6m maximum
Detection angle:	30 - 150 degrees
Mounting height:	6m maximum
IP rating	IP67

Installation procedure

- Please read these notes carefully before commencing work. In case of doubt please consult a qualified electrician.
- Make sure the power is isolated from the circuit.**
- TO ACCESS THE TERMINALS:**
If already wired - disconnect from the mains supply.
Remove the enclosure lid by quarter turning the four turn screws to the '0' position.
Remove the two screws fixing the green circuit board to the enclosure (diagram B). Lift the circuit board out carefully out of the enclosure revealing the terminals.
Terminal options are shown in diagram A. Wiring options are shown in Diagram C.
- Once wiring is securely connected to the terminals refasten the circuit board to the enclosure with the two screws.
- Cables can be fed out via the appropriate cable gland entry point.
- To ensure an IP67 rating, mount the enclosure using only the four fixing holes provided, use a circular cable of diameter 6-12mm, fit the seal provided into the groove within the enclosure lid.
- Knock out or drill the appropriate holes on the mounting plate for attaching the plate to the ceiling or back box (if applicable). Feed cables through the appropriate side entry hole. Screw the back mounting plate to the ceiling or back box via the mounting holes. Wire the cables into the sensor head block terminal. Push the sensor head onto the mounting plate and align the side clips with the slots on the sensor heads.

Adjusting Detection Sensitivity and Time lag / Hold Time

Detection sensitivity can be adjusted to optimise detection as required by selecting the appropriate dip switches as indicated below.

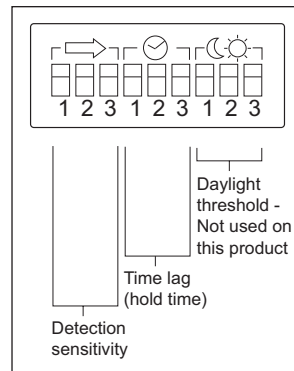
	1	2	3	
I	●	●	●	100%
II	○	●	●	75%
III	○	●	○	50%
IV	○	○	●	30%
V	○	○	○	10%

- I - maximum range 100%
- II - 75%
- III - 50%
- IV - 30%
- V - 10%

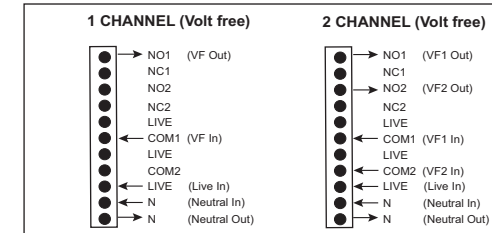
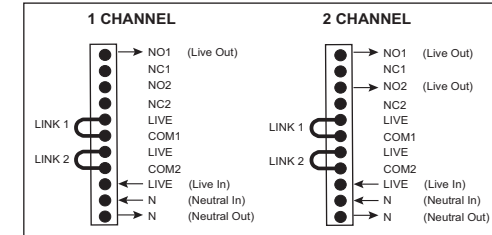
The time lag is the time period you would like to keep the load on after a person has left the detection area.

	1	2	3	
I	●	●	●	5s
II	●	○	●	30s
III	●	○	○	3 min
IV	○	●	●	5 min
V	○	○	●	15 min
VI	○	○	○	25 min

- I - Walk test mode 5s
- II - 30s
- III - 1 minute
- IV - 5 minutes
- V - 20 minutes
- VI - 30 minutes

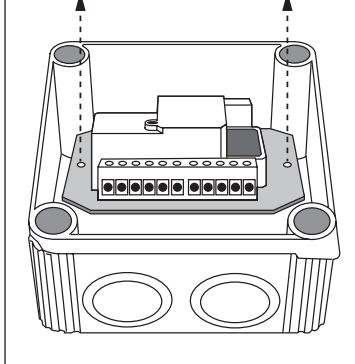


A: Wiring terminals guides

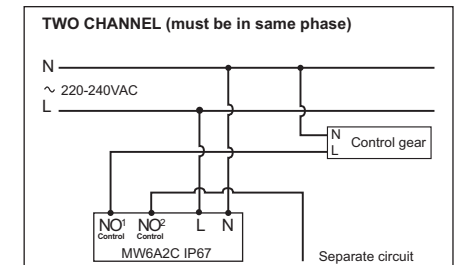
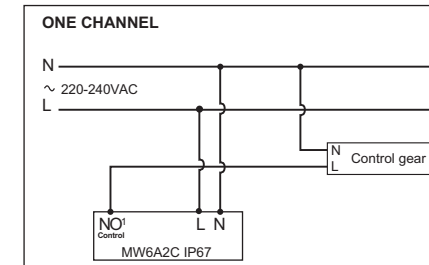


B: Access to terminal block

- TO ACCESS THE TERMINALS:**
- If already wired - disconnect from the mains supply.
 - Remove the two screws fixing the green circuit board to the enclosure.
 - Lift the circuit board out carefully out of the enclosure revealing the terminals.



C: Wiring diagrams



D: Detection diagram

