

### High bay PIR occupancy switches (absence detection)

HBA PIR ND      HBA PIR SP      HBA PIR WD

DANLERS High bay passive infra-red absence switches can be mounted directly onto solid ceilings or onto a range of different mounting boxes.

They incorporate a passive infra-red quad sensor to detect movement of a warm body within its detection zone (diagram B) and a photocell to monitor the ambient light level.

When entering the room, if the ambient light is dark enough, the lights can be activated by pressing a momentary light switch for less than 2 seconds. The ambient threshold can be set by the user to between approximately 30 lux and infinite lux (photocell inactive) via the LUX adjuster (diagram A). If no more movement is detected within a pre-selected time, then the PIR will switch the load off. This time lag can be set via the TIME adjuster to 10 seconds, 20 seconds, 40 seconds, 80 seconds, 2m 30s, 5m, 10m, 20m or 40 minutes (diagram A).

Pressing and holding the momentary switch (for 2 seconds or more) (while PIR is in its ON state) will override the control enabling the load to be switched OFF. This is useful when a darkened room is required or if the user does not wish the time lag period to elapse.

*Allow a minimum of 1 second to elapse after the lights have gone off before repressing the momentary switch (allowing PIR to reset).*

These high bay controls are available in three types - each with a particular detection pattern which is optimised for particular applications.

**HBA PIR ND:**      Narrow Detection version is ideal for covering storage aisles.

**HBA PIR SP:**      Spot Detection version is ideal for smaller areas, such as the entrances to storage aisles.

**HBA PIR WD:**      Wide Detection version is ideal for large open areas, such as factories, sports halls and entrance halls.

### Loading

The switch should only be connected to a 230V 50Hz AC supply.

These PIR switches can switch up to:

6 amps (1500W) of resistive loads.

6 amps (1500W) of fluorescent loads.

3 amps (750W) of electronic and wire wound transformer loads.

2 amps (500W) of CFL, 2D lamps, LED Drivers and LED lamps and fittings.

1 amp (250W) of fans

Minimum load 2W resistive, suitable for most energy saving lamps, LEDs and emergency fittings.

### Troubleshooting

**The load will not switch on when the momentary switch is operated:**

- The LUX adjuster is set too low and is inhibiting the switch.

**The Absence detector switches off when the room is occupied:**

- The occupation is outside of the detection zone (see diagram A), movements are too small or too infrequent. Increase the TIME adjuster.

### Troubleshooting

DANLERS can supply a range of Momentary/Retractive switches - push to make or break:

MOMSW MP      Plated grey metal finish with PRESS preprinted on switch.

MOMSW M      Plated grey metal finish with blank switch.

MOMSW WHP      Plated white finish with PRESS preprinted on switch

MOMSW WH      Plated white finish with blank switch.

MOMSW PMOD      Grid module suitable for MK Grid Plus with PRESS preprinted on switch.

MOMSW MOD      Grid module suitable for MK Grid Plus with blank switch.

### Precautions and Warranty

This product conforms to BS EN 60669-2-1. Product complies to Class 2 insulation.

Please ensure the most recent edition of the appropriate local wiring regulations are observed and suitable protection is provided e.g. 6 amps over current, 1kV over voltage. Please ensure that this device is disconnected from the supply if an insulation test is made.

This product is covered by a warranty which extends to 5 years from the date of manufacture.

### Products available from DANLERS

- PIR occupancy switches • Daylight linked dimmers • Manual high frequency dimmers
- Photocells • Radio remote controls • Time lag switches • Outdoor security switches
- Dimmers • Heating, ventilation and air-conditioning controls • Bespoke / O.E.M. products

**Please call for more information or a free catalogue, or visit our website.**

DANLERS Limited, Vincients Road, CHIPPENHAM, Wiltshire, SN14 6NQ, UK.

Telephone: +44 (0)1249 443377 Fax: +44 (0)1249 443388

E-mail: sales@danlers.co.uk Web: [www.danlers.co.uk](http://www.danlers.co.uk)

Company Registered Number 2570169 VAT Registration Number 543 5491 38



## Installation procedure

- Please read these notes carefully before commencing work. In case of doubt please consult a qualified electrician.
- POSITIONING:** The High bay PIR should be installed to achieve correct coverage of the area, see diagram B. If the photocell override facility is required, the switch must be located above an area where daylight can give greater illumination than the artificial light. Avoid locating this product where it is exposed to windy or drafty conditions (exposed lobbies, open ceiling voids or near ventilation fans) or near heat sources.
- The greatest energy savings will be made if each PIR controls an independent set of lamps. They can be wired in parallel but this should ideally be limited to three, see diagram D.
- Make sure the power is isolated from the circuit. The High bay PIR should be connected as shown in diagrams C & D:  
 SL - Switched Line out.  
 L - Not used or Live in (alternative terminal)  
 L - Live in.  
 N - Neutral in.  
 SW<sup>1</sup> - Switch input.
- Knockout or drill the appropriate holes on the mounting plate (See diagram E) for attaching the plate to the ceiling or back box (if applicable). Feed cables through the appropriate (side or rear) entry hole. Screw the back mounting plate to the ceiling or back box via the mounting holes. Wire the cables into the sensor head block terminal. Push the sensor head onto the mounting plate and align the side clips with the slots on the sensor heads.

## Start-up mode

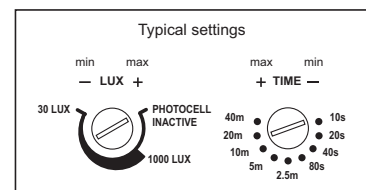
When the PIR is powered up, it will switch on the load for 1 minute, the load will then switch off and the PIR will enter its Operating Mode.

## Time and Lux set up

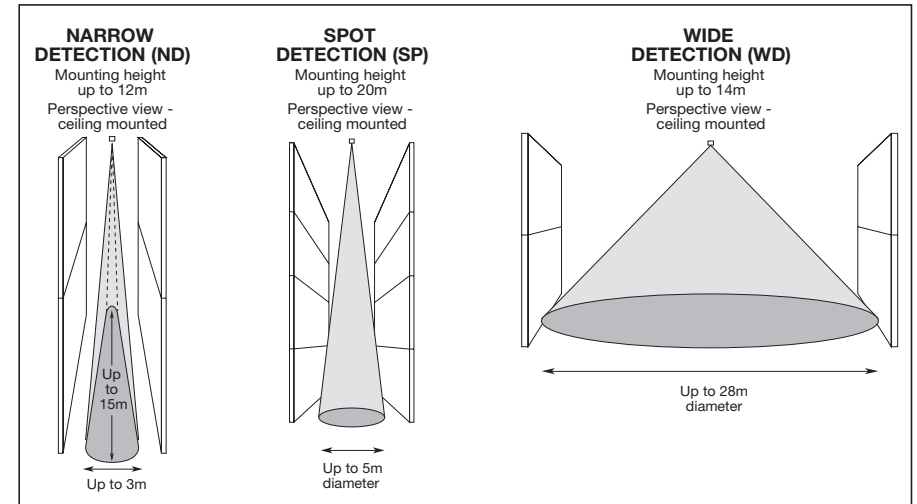
For convenience, ensure that the TIME is set to the minimum when setting up the LUX level. Afterwards set the TIME to a value suitable for the application, making reference to diagram B.

The LUX is best set up when the local ambient light is at approximately the minimum desired working light level. With the LUX set fully clockwise wait for the CESRA PIR to switch off. Step the LUX adjuster slowly anticlockwise (- to +), at each position operate the momentary wall switch and continuing until the lamps switch on.

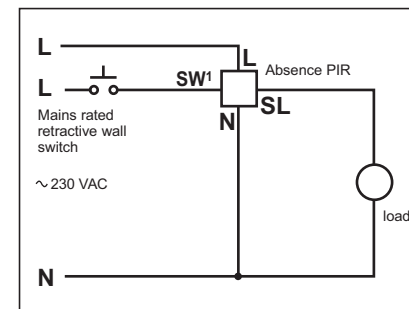
### A: Adjusting time and lux



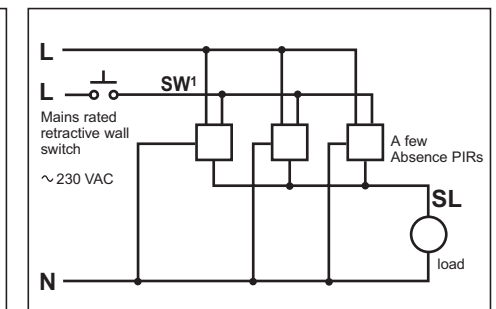
## B: Detection diagrams



## C: Wiring diagram, single PIR



## D: Wiring diagram, multiple PIRs



## E: Mounting plate fixing

